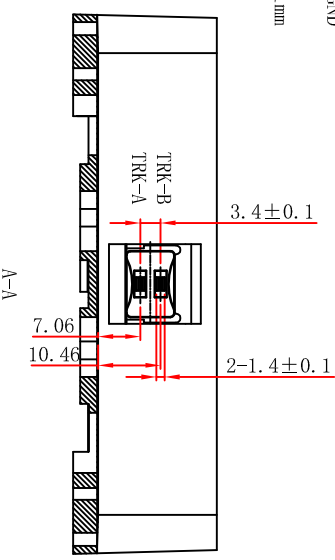
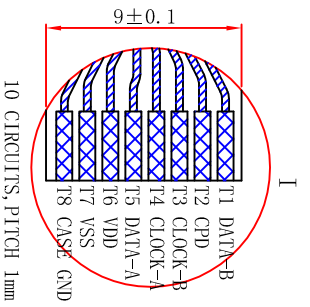
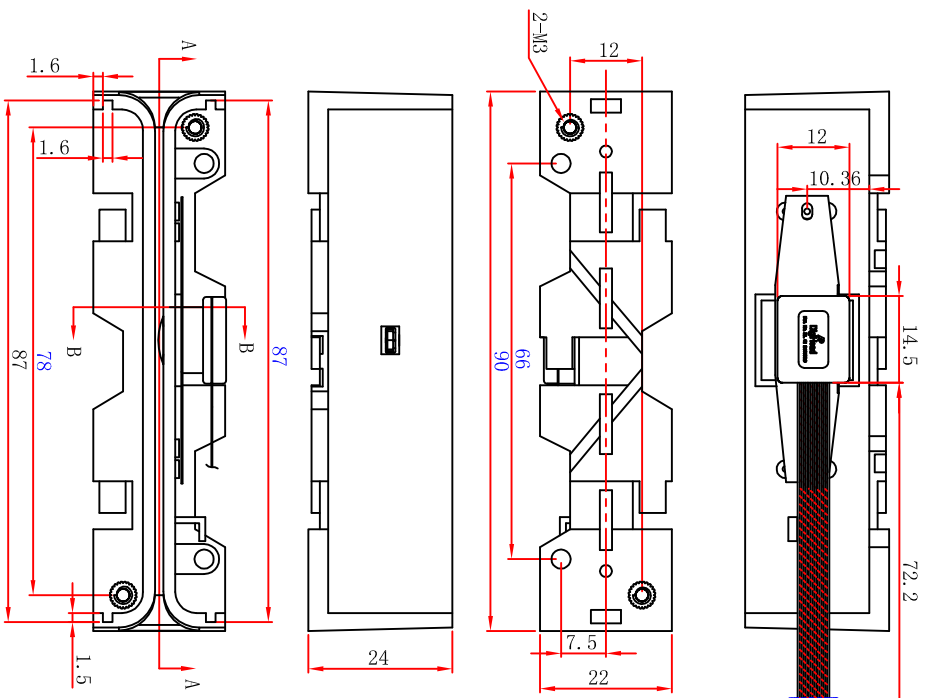


DRAWN BY	CHECKED BY	APPROVED BY	APPROVAL DATE:	PAGE 1 OF 1
----------	------------	-------------	----------------	-------------



SPECIFICATIONS

- CARD STANDARD—ISO 7811 TRACK1 & 2 OR 2 & 3
  - CARD RECORDING—F2F FORMAT
  - CARD SPEED—10 --- 100 cm/SEC
  - EFFECTIVE TRACK WIDTH—1.4 ± 0.1mm EACH
  - CORE MATERIAL—HARD PERMALLOY
  - OUTPUT—TTL COMPATIBLE
  - POWER SUPPLY—D. C. 5V
  - P. S. CURRENT—10mA max
  - HEAD ASSEMBLY—AP-2250F12 (52D) 001FPC
  - READER RAIL—K02
- CAUTION:  
INCORRECT CONNECTION TO DOWNSTREAM CIRCUITRY  
MAY CAUSE FATAL DAMAGE OF THE UNIT



APOLLO (ZHUHAI) ELEC. CO., LTD.

TITLE  
2 TRACK SWIPE READER

MODEL  
AP-AH2-2-4

THESE DRAWINGS AND SPECIFICATIONS ARE THE PROPERTY OF APOLLO(ZHUHAI) ELECTRONICS CO., LTD. AND SHALL NOT BE REPRODUCED, COPIED, OR USED AS THE BASIS FOR THE MANUFACTURE OR SALE OF APPARATUS OR DEVICES WITHOUT PERMISSION

UNLESS OTHERWISE SPECIFIED:  
ALL DIMENSIONS IN MM; TOLERANCE IN ±0.2; NOT TO SCALE

DWG NO  
JY0-49-007-ZG/C