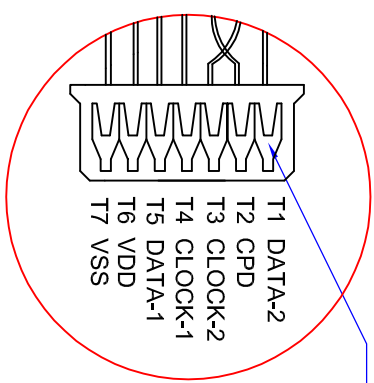
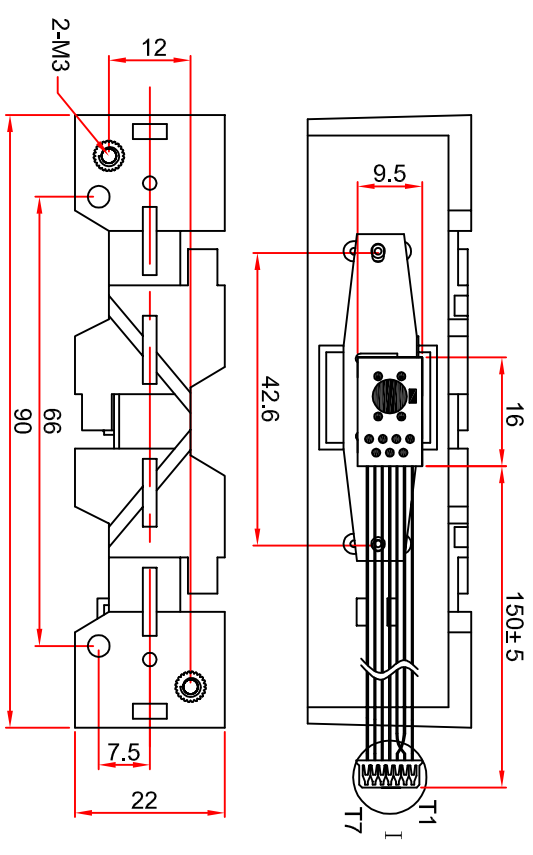
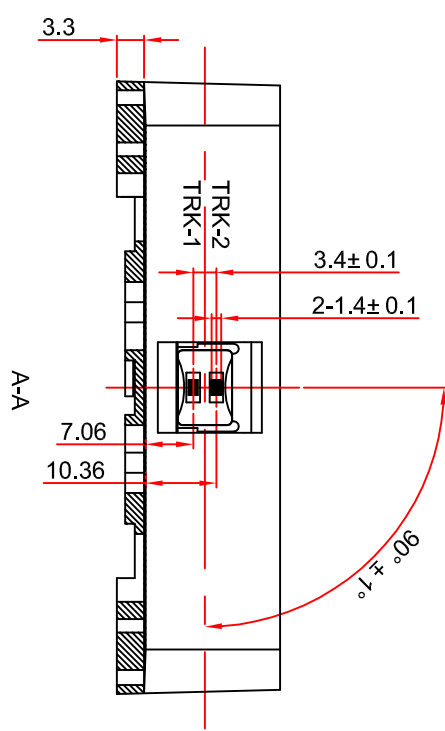


DRAWN BY	CHECKED BY	APPROVED BY	APPROVAL DATE:	PAGE 1 OF 1
----------	------------	-------------	----------------	-------------



MOLEX CONNECTOR 51021-0700
MOLEX CRIMP-TERMINAL 50058-8000

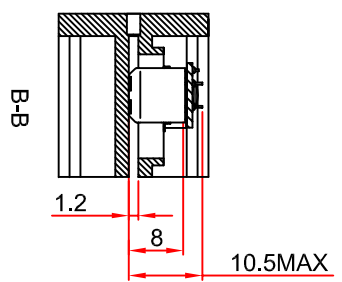
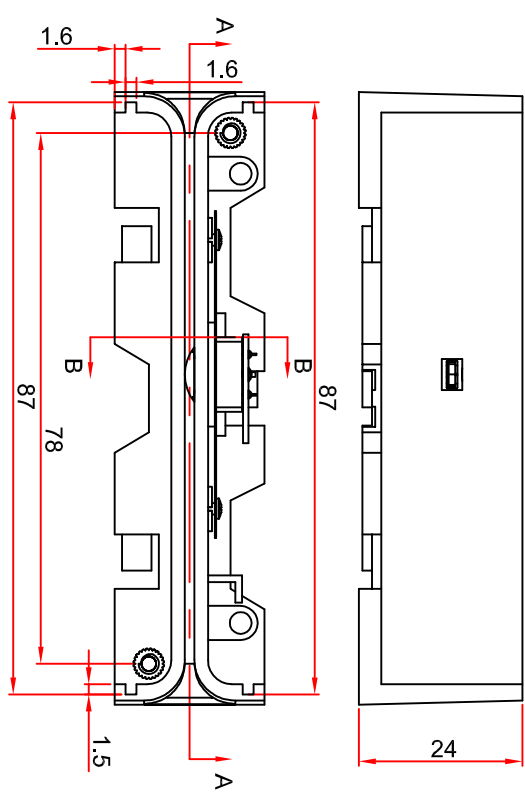
OR EQUIVALENT



SPECIFICATIONS

CARD STANDARD	ISO 7811 TRACK1 & 2
CARD RECORDING	F2F FORMAT
CARD SPEED	10 --- 100 cm/SEC
EFFECTIVE TRACK WIDTH	1.4± 0.1mm EACH
CORE MATERIAL	HARD PERMALLOY
OUTPUT	TTL COMPATIBLE
POWER SUPPLY	D.C.5V
P.S.CURRENT	10mA max
HEAD ASSEMBLY	AP-2250FN12(52E)(C116)
READER RAIL	K02

CAUTION:
INCORRECT CONNECTION TO DOWNSTREAM CIRCUITRY
MAY CAUSE FATAL DAMAGE OF THE UNIT



APOLLO(ZHUHAH)ELEC.CO.,LTD.

TITLE

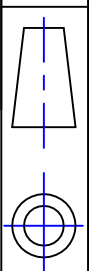
2 TRACK SWIPE READER

MODEL

AP-AH2-2-5

THIS DRAWING AND SPECIFICATION IS THE PROPERTY OF APOLLO(ZHUHAH) ELECTRONICS CO.,LTD.AND SHALL NOT BE REPRODUCED,COPIED,OR USED AS THE BASIS FOR THE MANUFACTURE OR SALE OF APPARATUS OR DEVICES WITHOUT PERMISSION

UNLESS OTHERWISE SPECIFIED:
ALL DIMENSIONS IN MM;TOLERANCE ± 0.2;
NOT TO SCALE



DWG NO

JY0-49-027-ZG/D

QR-EN-66/A