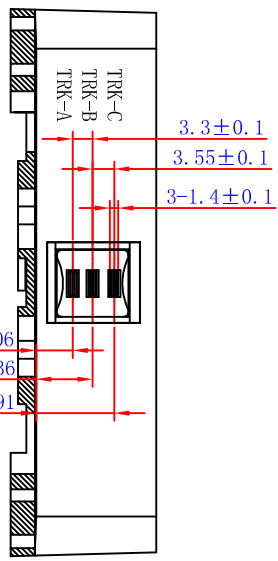
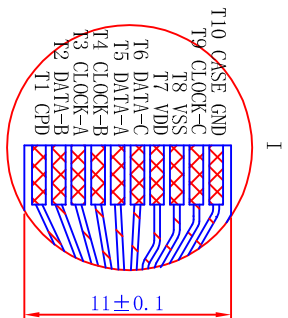
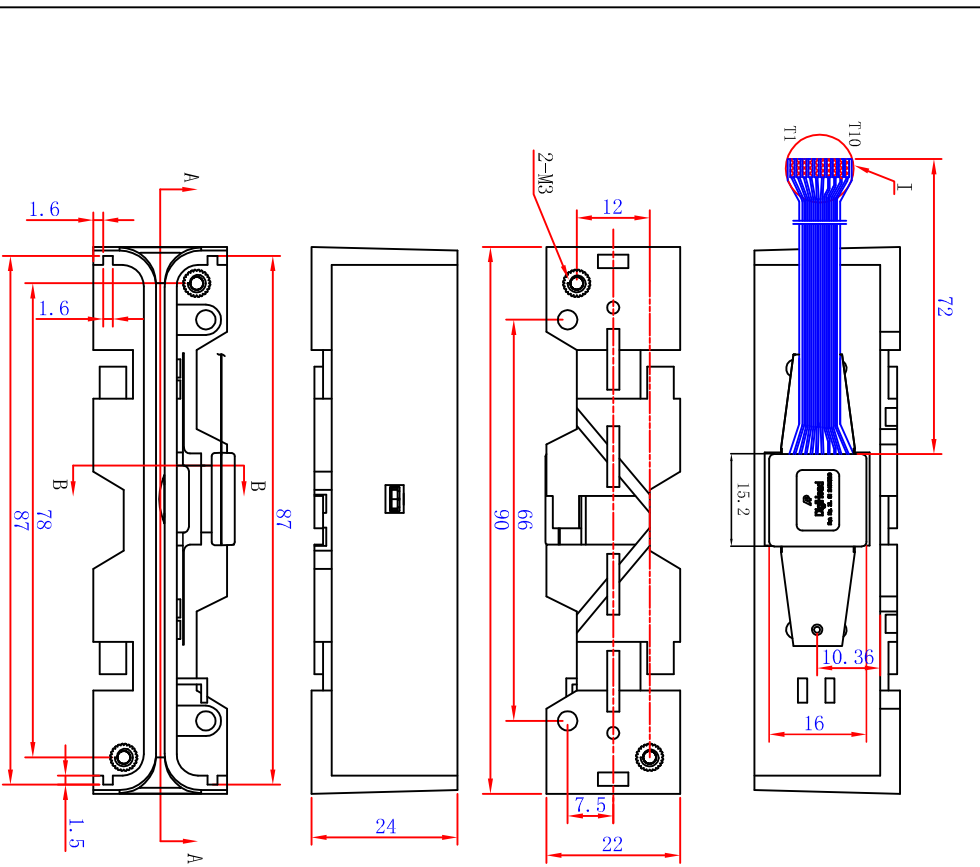


DRAWN BY	CHECKED BY	APPROVED BY	APPROVAL DATE:	PAGE 1 OF 1
----------	------------	-------------	----------------	-------------



SPECIFICATIONS

CARD STANDARD	ISO 7811 TRACK1, 2 & 3
CARD RECORDING	P2F FORMAT
CARD SPEED	10 100 cm/SEC
EFFECTIVE TRACK WIDTH	1.4 ± 0.1mm EACH
CORE MATERIAL	HARD PERMALLOY
OUTPUT	TTL COMPATIBLE
POWER SUPPLY	D. C. 5V
P. S. CURRENT	10mA max
HEAD ASSEMBLY	AP-3350J12 (45B) 002PFC
READER RAIL	K02

CAUTION:
 INCORRECT CONNECTION TO DOWNSTREAM CIRCUITRY
 MAY CAUSE FATAL DAMAGE OF THE UNIT



APOLLO (ZHUHAI) ELEC. CO., LTD.

3 TRACK SWIPE READER

MODEL AP-AH2-3-4

THESE DRAWINGS AND SPECIFICATIONS ARE THE PROPERTY OF APOLLO (ZHUHAI) ELECTRONICS CO., LTD. AND SHALL NOT BE REPRODUCED, COPIED, OR USED AS THE BASIS FOR THE MANUFACTURE OR SALE OF APPARATUS OR DEVICES WITHOUT PERMISSION

UNLESS OTHERWISE SPECIFIED:
 ALL DIMENSIONS IN MM. TOLERANCE ±0.2. NOT TO SCALE

DWG NO JY0-49-011-ZG/D